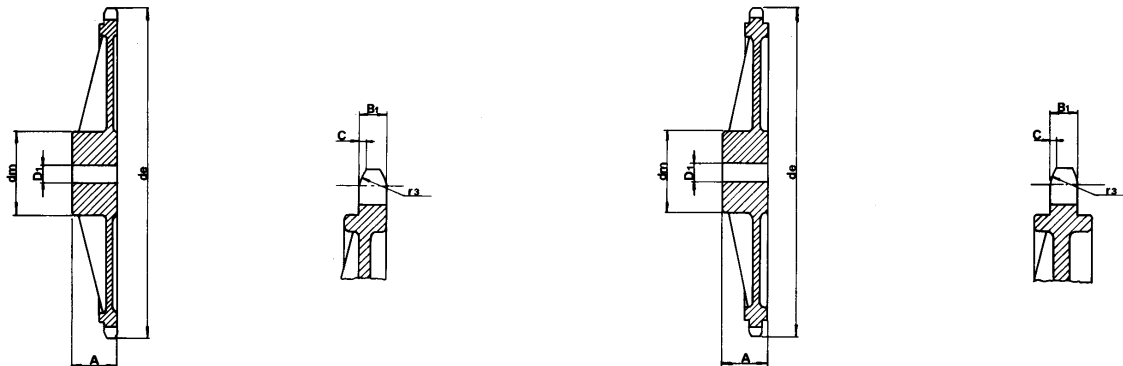


CAST IRON SPROCKETS: G 20 UNI 5007



3/8" x 7/32" for roller chains in compliance with DIN 8187 ISO/R 606

z	d _e	d _p	SINGLE			DOUBLE			TRIPLE		
			d _m	D ₁	A	d _m	D ₁	A	d _m	D ₁	A
38	119.5	115.35	70	19	32	80	19	40	90	23	56
45	140.7	136.55	70	19	32	80	19	40	90	23	56
57	176.9	172.91	70	19	32	80	19	40	90	23	56
76	234.9	230.49	70	19	32	80	19	40	100	23	56
*95	292.5	288.08	80	19	40	90	19	45	100	23	56
*114	349.6	345.68	80	19	40	90	19	45	100	23	56
*150	459.2	454.82	90	23	45	100	23	50	125	23	60

SPROCKET		mm
TOOTH RADIUS r ₃		10
RADIUS WIDTH C		1
SPROCKET TOOTH WIDTH B ₁		5.3
SPROCKET TOOTH WIDTH b ₁		5.2
SPROCKET TOOTH WIDTH B ₂		15.4
SPROCKET TOOTH WIDTH B ₃		25.6
CHAIN		mm
PITCH		9.525
INTERNAL WIDTH		5.72
ROLLER - Ø		6.35

1/2" x 5/16" for roller chains in compliance with DIN 8187 ISO/R 606

z	d _e	d _p	SINGLE			DOUBLE			TRIPLE		
			d _m	D ₁	A	d _m	D ₁	A	d _m	D ₁	A
38	158.6	153.80	70	19	40	90	23	50	100	23	60
45	188	182.07	70	19	40	90	23	50	100	23	60
57	236.4	230.54	70	19	40	90	23	50	100	23	60
76	313.3	307.33	80	23	40	100	23	56	100	23	60
95	390.1	384.11	80	23	45	100	23	56	120	23	67
114	466.9	460.90	90	23	45	100	23	63	120	23	67

SPROCKET		mm
TOOTH RADIUS r ₃		13
RADIUS WIDTH C		1.3
SPROCKET TOOTH WIDTH B ₁		7.2
SPROCKET TOOTH WIDTH b ₁		7
SPROCKET TOOTH WIDTH B ₂		21
SPROCKET TOOTH WIDTH B ₃		34.9
CHAIN		mm
PITCH		12.7
INTERNAL WIDTH		7.75
ROLLER - Ø		8.51

5/8" x 3/8" for roller chains in compliance with DIN 8187 ISO/R 606

z	d _e	d _p	SINGLE			DOUBLE			TRIPLE		
			d _m	D ₁	A	d _m	D ₁	A	d _m	D ₁	A
38	199.2	192.24	80	19	40	100	29	50	100	31	60
45	235	227.58	80	19	40	100	29	50	100	31	60
57	296	288.18	90	23	45	100	29	56	100	31	63
*76	392.1	384.16	90	23	50	100	29	63	110	34	67
*95	488.5	480.14	100	23	56	110	29	63	125	34	70
*114	584.1	576.13	100	23	56	125	29	70	125	34	80

SPROCKET		mm
TOOTH RADIUS r ₃		16
RADIUS WIDTH C		1.6
SPROCKET TOOTH WIDTH B ₁		9.1
SPROCKET TOOTH WIDTH b ₁		9
SPROCKET TOOTH WIDTH B ₂		25.5
SPROCKET TOOTH WIDTH B ₃		42.1
CHAIN		mm
PITCH		15.875
INTERNAL WIDTH		9.65
ROLLER - Ø		10.16

3/4" x 7/16" for roller chains in compliance with DIN 8187 ISO/R 606

z	d _e	d _p	SINGLE			DOUBLE			TRIPLE		
			d _m	D ₁	A	d _m	D ₁	A	d _m	D ₁	A
38	239	230.69	100	23	56	110	29	63	140	31	70
45	282.5	273.1	100	23	56	110	29	63	140	31	70
57	354	345.81	100	29	56	120	29	63	140	39	70
*76	469.9	460.99	100	29	56	135	29	63	160	39	75
*95	585.1	576.17	100	29	65	135	29	70	170	39	82
*114	700.6	691.36	100	29	65	135	44	70	170	49	82

SPROCKET		mm
TOOTH RADIUS r ₃		19
RADIUS WIDTH C		2
SPROCKET TOOTH WIDTH B ₁		11.1
SPROCKET TOOTH WIDTH b ₁		10.8
SPROCKET TOOTH WIDTH B ₂		30.3
SPROCKET TOOTH WIDTH B ₃		49.8
CHAIN		mm
PITCH		19.05
INTERNAL WIDTH		11.68
ROLLER - Ø		12.07