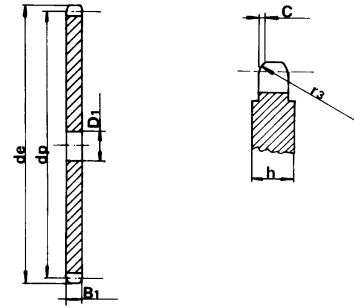


P L A T E W H E E L S

Platewheels 20 x 16 mm

for roller chains in compliance with DIN 8164

Z	d _e	d _p	S	z	d _e	d _p	S
			D ₁				D ₁
12	85.7	77.28	14				
14	98.3	89.88	14				
15	104.6	96.18	14				
16	110.9	102.52	16				
17	117.2	108.82	16				
19	129.9	121.52	16				
20	136.2	127.84	16				
21	142.6	134.18	20				
23	155.3	146.88	20				
26	174.3	165.92	20				
27	180.7	172.27	20				
35	231.5	223.12	20				
38	250.6	242.18	25				
39	256.9	248.54	25				
40	263.3	254.92	25				



PLATEWHEEL

mm

TOOTH RADIUS r_3	20
RADIUS WIDTH C	1.7
PLATE TOOTH WIDTH B_1	14.5

CHAIN

mm

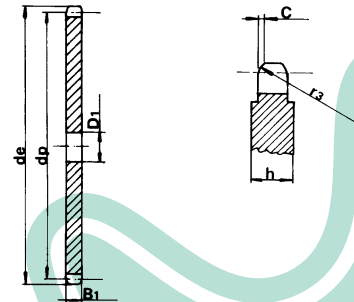
PITCH	20
INTERNAL WIDTH	16
ROLLER - \varnothing	12

P L A T E W H E E L S

Platewheels 30 x 17.02 mm

for roller chains in compliance with DIN 8180

Z	d _e	d _p	S	z	d _e	d _p	S
			D ₁				D ₁
11	117.4	106.48	20				
12	126.9	115.91	20				
13	137.3	125.36	20				
15	156.2	144.29	20				
17	175.2	163.27	20				
21	213.2	201.29	25				
22	222.8	210.80	25				
23	232.3	220.32	25				
27	270.4	258.41	25				
30	299.0	287.00	25				
38	375.2	363.27	30				



PLATEWHEEL

mm

TOOTH RADIUS r_3	27
RADIUS WIDTH C	2.2
PLATE TOOTH WIDTH B_1	15.8

CHAIN

mm

PITCH	30
INTERNAL WIDTH	17.02
ROLLER - \varnothing	15.88