

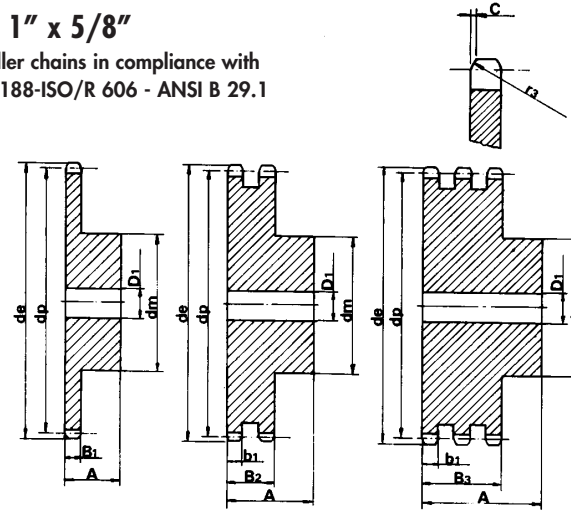
# S P R O C K E T S

ASA 80

Z	d <sub>e</sub>	d <sub>p</sub>	SINGLE			DOUBLE			TRIPLE		
			d <sub>m</sub>	D <sub>1</sub>	A	d <sub>m</sub>	D <sub>1</sub>	A	d <sub>m</sub>	D <sub>1</sub>	A
8	79.49	66.37	42	16	35						
9	87.38	74.27	50	16	35						
10	95.32	82.19	55	16	35						
11	103.28	90.14	61	16	40						
12	111.26	98.14	69	16	40	72	20	70	72	25	100
13	119.26	106.12	78	16	40	78	20	70	78	25	100
14	127.27	114.15	84	16	40	86	20	70	86	25	100
15	135.29	122.17	92	16	40	94	20	70	94	25	100
16	143.32	130.20	100	20	45	102	20	70	102	30	100
17	151.35	138.22	100	20	45	110	20	70	110	30	100
18	159.39	146.28	100	20	45	118	20	70	118	30	100
19	167.44	154.33	100	20	45	126	20	70	126	30	100
20	175.49	162.38	100	20	45	130	20	70	130	30	100
21	183.54	170.43	110	20	50	130	25	70			
22	191.60	178.48	110	20	50						
23	199.66	186.53	110	20	50						
24	207.72	194.59	110	20	50						
25	215.78	202.66	110	20	50						
26	223.84	210.72	120	20	50						
27	231.91	218.79	120	20	50						
28	239.98	226.85	120	20	50						
29	248.05	234.92	120	20	50						
30	256.12	243.00	120	20	50						

## Pitch 1" x 5/8"

for roller chains in compliance with  
DIN 8188-ISO/R 606 - ANSI B 29.1



### SPROCKET

	mm
TOOTH RADIUS r <sub>3</sub>	27
RADIUS WIDTH C	3.2
SPROCKET TOOTH WIDTH B <sub>1</sub>	15.0
SPROCKET TOOTH WIDTH b <sub>1</sub>	14.7
SPROCKET TOOTH WIDTH B <sub>2</sub>	44.0
SPROCKET TOOTH WIDTH B <sub>3</sub>	73.3

### CHAIN

	mm
PITCH	25.4
INTERNAL WIDTH	15.88
ROLLER - Ø	15.88

MATERIAL: C 45 UNI 7845

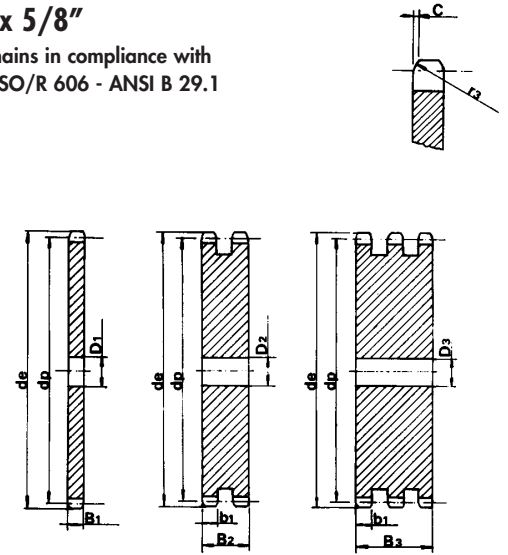
# P L A T E W H E E L S

ASA 80

Z	d <sub>e</sub>	d <sub>p</sub>	S D T		
			D <sub>1</sub>	D <sub>2</sub>	D <sub>3</sub>
10	95.32	82.19	15		
11	103.28	90.14	15		
12	111.26	98.14	15		
13	119.26	106.12	15		
14	127.27	114.15	15		
15	135.29	122.17	15		
16	143.32	130.20	19		
17	151.35	138.22	19		
18	159.39	146.28	19		
19	167.44	154.33	19		
20	175.49	162.38	19		
21	183.54	170.43	20		
22	191.60	178.48	20		
23	199.66	186.53	20		
24	207.72	194.59	20		
25	215.78	202.66	20	25	30
26	223.84	210.72	20		
27	231.91	218.79	20		
28	239.98	226.85	20		
30	256.12	243.00	20	25	30
32	272.26	259.13	25		
35	296.48	283.36	25		
38	320.70	307.59	25	25	30
45	377.24	364.12	25	25	30
50	417.64	404.52	25		
57	474.20	461.08	25	25	40
76	627.80	614.64	25	25	40

## Pitch 1" x 5/8"

for roller chains in compliance with  
DIN 8188-ISO/R 606 - ANSI B 29.1



### PLATEWHEEL

	mm
TOOTH RADIUS r <sub>3</sub>	27
RADIUS WIDTH C	3.2
PLATE TOOTH WIDTH B <sub>1</sub>	15.0
PLATE TOOTH WIDTH b <sub>1</sub>	14.7
PLATE TOOTH WIDTH B <sub>2</sub>	44.0
PLATE TOOTH WIDTH B <sub>3</sub>	73.3

### CHAIN

	mm
PITCH	25.4
INTERNAL WIDTH	15.88
ROLLER - Ø	15.88