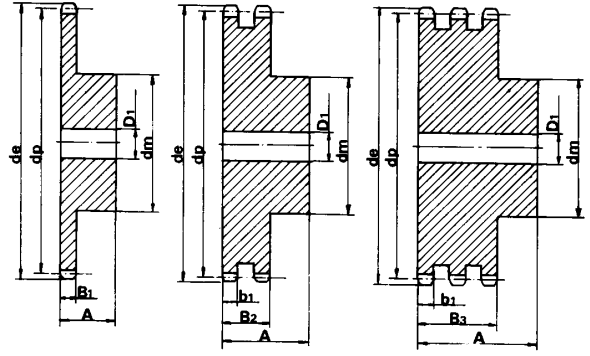
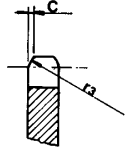


# S P R O C K E T S

ASA 50

## Pitch 5/8" x 3/8"

for roller chains in compliance with  
DIN 8188-ISO/R 606 - ANSI B 29.1



### SPROCKET mm

TOOTH RADIUS $r_3$	17
RADIUS WIDTH C	2
SPROCKET TOOTH WIDTH $B_1$	9
SPROCKET TOOTH WIDTH $b_1$	8.8
SPROCKET TOOTH WIDTH $B_2$	26.9
SPROCKET TOOTH WIDTH $B_3$	45

### CHAIN mm

PITCH	15.875
INTERNAL WIDTH	9.52
ROLLER - $\varnothing$	10.16

MATERIAL: C 45 UNI 7845

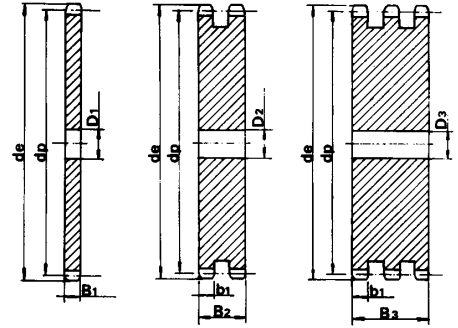
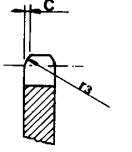
Z	$d_e$	$d_p$	SINGLE			DOUBLE			TRIPLE		
			$d_m$	$D_1$	A	$d_m$	$D_1$	A	$d_m$	$D_1$	A
8	47.0	41.48	25	10	25						
9	52.6	46.42	30	10	25						
10	57.5	51.37	35	10	25						
11	63.0	56.34	37	12	30						
12	68.0	61.34	42	12	30				44	16	55
13	73.0	66.32	47	12	30	49	14	40	49	16	55
14	78.0	71.34	52	12	30	54	14	40	54	16	55
15	83.0	76.36	57	12	30	59	14	40	59	16	55
16	88.0	81.37	60	12	30	64	16	45	64	16	60
17	93.0	86.39	60	12	30	69	16	45	69	16	60
18	98.3	91.42	70	14	30	74	16	45	74	16	60
19	103.3	96.45	70	14	30	79	16	45	79	16	60
20	108.4	101.49	75	14	30	84	16	45	84	16	60
21	113.4	106.52	75	16	30	85	16	45	85	20	60
22	118.0	111.55	80	16	30	90	16	45	90	20	60
23	123.4	116.58	80	16	30	95	16	45	95	20	60
24	128.3	121.62	80	16	30	100	16	45	100	20	60
25	134.0	126.66	80	16	30	105	16	45	105	20	60
26	139.0	131.70	85	20	35				110	20	60
27	144.0	136.75	85	20	35				110	20	60
28	148.7	141.78	90	20	35				115	20	60
29	153.8	146.83	90	20	35						
30	158.8	151.87	90	20	35						
31	163.9	156.92	95	20	35						
32	168.9	161.95	95	20	35						
33	174.5	167.00	95	20	35						
34	179.0	172.05	95	20	35						
35	184.1	177.10	95	20	35						
36	189.1	182.15	100	20	35						
37	194.2	187.20	100	20	35						
38	199.2	192.24	100	20	35						
39	204.2	197.29	100	20	35						
40	209.3	202.34	100	20	35						

# P L A T E W H E E L S

ASA 50

## Pitch 5/8" x 3/8"

for roller chains in compliance with  
DIN 8188-ISO/R 606 - ANSI B 29.1



### PLATEWHEEL mm

TOOTH RADIUS $r_3$	17
RADIUS WIDTH C	2
PLATE TOOTH WIDTH $B_1$	9
PLATE TOOTH WIDTH $b_1$	8.8
PLATE TOOTH WIDTH $B_2$	26.9
PLATE TOOTH WIDTH $B_3$	45

### CHAIN mm

PITCH	15.875
INTERNAL WIDTH	9.52
ROLLER - $\varnothing$	10.16

Z	$d_e$	$d_p$	S D T			Z	$d_e$	$d_p$	S D T		
			$D_1$	$D_2$	$D_3$				$D_1$	$D_2$	$D_3$
8	47.0	41.48	10			44	230.0	222.53	20		
9	52.6	46.42	10			45	235.0	227.58	20	20	25
10	57.5	51.37	10			46	240.1	232.63	20		
11	63.0	56.34	10			47	245.1	237.68	20		
12	68.0	61.34	10			48	250.2	242.73	20		
13	73.0	66.32	10			49	255.2	247.78	20		
14	78.0	71.34	10			50	260.3	252.82	20		
15	83.0	76.36	10			51	265.3	257.87	20		
16	88.0	81.37	12			52	270.4	262.92	20		
17	93.0	86.38	12			53	275.4	267.97	20		
18	98.3	91.42	12			54	280.5	273.03	20		
19	103.3	96.45	12			55	285.5	278.08	20		
20	108.4	101.49	12			56	290.6	283.13	25		
21	113.4	106.52	12			57	296.0	288.18	25	25	25
22	118.0	111.55	12			58	300.7	293.23	25		
23	123.5	116.58	12			59	305.7	298.27	25		
24	128.3	121.62	12			60	310.8	303.32	25		
25	134.0	126.66	12			62	321.4	313.43	25		
26	139.0	131.70	16			64	331.5	323.53	25		
27	144.0	136.75	16			65	336.5	328.58	25		
28	148.7	141.78	16			66	341.6	333.63	25		
29	153.8	146.83	16			68	351.7	343.74	25		
30	158.8	151.87	16	20	20	70	361.8	353.84	25		
31	163.9	156.92	16			72	371.9	363.95	25		
32	168.9	161.95	16			75	387.1	379.09	25		
33	174.5	167.00	16			76	392.1	384.16	25	25	30
34	179.0	172.05	16			78	402.2	394.25	25		
35	184.1	177.10	16			80	412.3	404.35	25		
36	189.1	182.15	20			85	437.6	429.62	30		
37	194.2	187.20	20			90	462.8	454.88	30		
38	199.2	192.24	20	20	25	25	95.0	480.14	30	30	
39	204.2	197.29	20			100	513.4	505.39	30		
40	209.3	202.34	20			110	563.9	555.92	30		
41	214.8	207.39	20			114	584.1	576.13	30		
42	219.9	212.44	20			120	614.4	606.45	30		
43	224.9	217.49	20			125	639.7	631.51	30		