

SPROCKETS

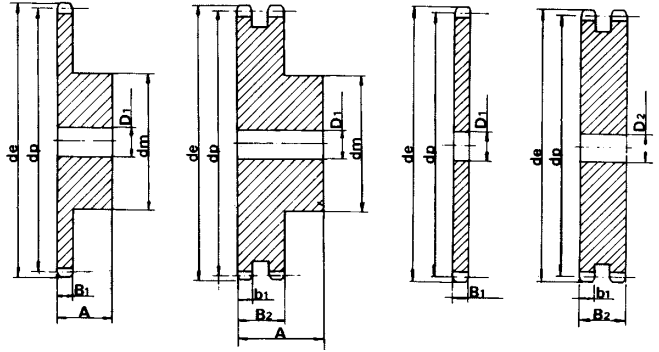
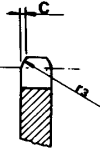
Z	d _e	d _p	SINGLE			DOUBLE		
			d _m	D ₁	A	d _m	D ₁	A
8	119.04	99.55	58	20	45			
9	130.88	111.4	70	20	45			
10	142.77	123.29	80	20	45			
11	154.71	135.21	90	25	50			
12	166.69	147.22	102	25	50	102	25	100
13	178.68	159.18	114	25	50	114	25	100
14	190.7	171.22	128	25	50	128	25	100
15	202.73	183.26	140	25	50	140	25	100

PLATEWHEELS

Z	d _e	d _p	S D T		
			D ₁		D ₂
16	214.77	195.29	25		
17	226.83	207.35	25		25
18	238.89	219.41	25		25
20	263.03	243.55	25		25
22	287.2	267.72	25		25
25	323.47	303.99	25		25
30	383.97	364.49	30		30
32	408.19	388.71	30		30
38	480.85	461.37	30		30
45	565.67	546.19	30		40
57	711.1	691.62	30		40

Pitch 1" 1/2 x 1"

for roller chains in compliance with
DIN 8188-ISO/R 606 - ANSI B 29.1



SPROCKET

mm

TOOTH RADIUS r ₃	40.5
RADIUS WIDTH C	4.8
SPROCKET TOOTH WIDTH B ₁	24.1
SPROCKET TOOTH WIDTH b ₁	23.6
SPROCKET TOOTH WIDTH B ₂	69.0

CHAIN

mm

PITCH	38.1
INTERNAL WIDTH	25.4
ROLLER - ø	22.22

MATERIAL: C 45 SPROCKETS UNI 7845

All the deleted tooth profiles are available till sold out.

At the Customer's request, we are able to produce tooth profiles and pitches in accordance with ASA profiles not shown in this Catalogue on a final cost basis.