

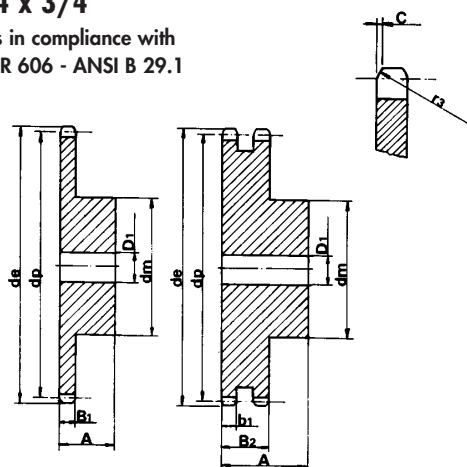
S P R O C K E T S

ASA 100

Z	d _e	d _p	SINGLE			DOUBLE		
			d _m	D ₁	A	d _m	D ₁	A
8	98.1	82.96	53	20	40			
9	108.0	92.84	63	20	40			
10	117.9	102.74	70	20	40			
11	127.8	112.68	77	20	45			
12	137.8	122.68	88	20	45	90	20	80
13	147.8	132.65	98	20	45	100	20	80
14	157.8	142.68	108	20	45	110	20	80
15	167.9	152.72	118	20	45	120	20	80
16	177.9	162.75	120	25	50	120	25	80
17	187.9	172.78	120	25	50	120	25	80
18	198.0	182.85	120	25	50			
19	208.1	192.91	120	25	50			
20	218.1	202.98	120	25	50			
21	228.2	213.04	140	25	55			
22	238.3	223.11	140	25	55			
23	248.3	233.17	140	25	55			
24	258.4	243.23	140	25	55			
25	268.5	253.33	140	25	55			

Pitch 1" 1/4 x 3/4"

for roller chains in compliance with
DIN 8188-ISO/R 606 - ANSI B 29.1



SPROCKET

	mm
TOOTH RADIUS r ₃	33.5
RADIUS WIDTH C	4
SPROCKET TOOTH WIDTH B ₁	18.0
SPROCKET TOOTH WIDTH b ₁	17.7
SPROCKET TOOTH WIDTH B ₂	53.5
SPROCKET TOOTH WIDTH B ₃	89.2

CHAIN

	mm
PITCH	31.75
INTERNAL WIDTH	19.05
ROLLER - Ø	19.05

MATERIAL: C 45 UNI 7845

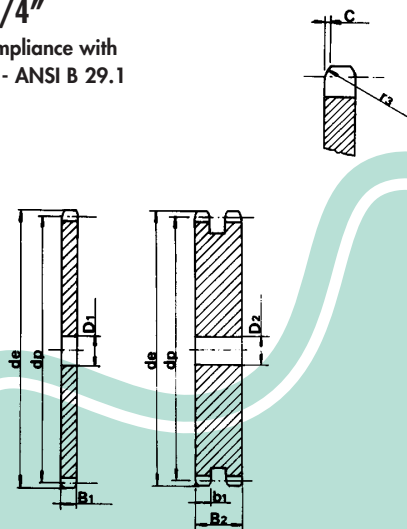
P L A T E W H E E L S

ASA 100

Z	d _e	d _p	S D T		
			D ₁	D ₂	D ₃
8	98.1	82.96	16		
9	108.0	92.84	16		
10	117.9	102.74	16		
11	127.8	112.68	16		
12	137.8	122.68	20		
13	147.8	132.65	20		
14	157.8	142.68	20		
15	167.9	152.72	20		
16	177.9	162.75	25		
17	187.9	172.78	25		
18	198.0	182.85	25		
19	208.1	192.91	25		
20	218.1	202.98	25	25	
21	228.2	213.04	25		
22	238.3	223.11	25		
23	248.3	233.17	25		
24	258.4	243.23	25		
25	268.5	253.33	25	25	
26	278.6	263.40	25		
27	288.6	273.40	25		
28	298.7	283.56	25		
29	308.8	293.65	25		
30	318.9	303.75	25	25	
31	329.0	313.85	25		
32	339.1	323.91	25		
33	349.2	334.01	25		
34	359.3	344.10	25		
35	369.4	354.20	25		
36	379.5	364.30	25		
37	389.5	374.39	25		
38	399.6	384.49	25	30	
39	409.7	394.59	25		
40	419.8	404.68	25		
45	470.3	455.17	30	30	
57	591.5	576.36	30	30	

Pitch 1" 1/4 x 3/4"

for roller chains in compliance with
DIN 8188-ISO/R 606 - ANSI B 29.1



PLATEWHEEL

	mm
TOOTH RADIUS r ₃	33.5
RADIUS WIDTH C	4
PLATE TOOTH WIDTH B ₁	18.0
PLATE TOOTH WIDTH b ₁	17.7
PLATE TOOTH WIDTH B ₂	53.5
PLATE TOOTH WIDTH B ₃	89.2

CHAIN

	mm
PITCH	31.75
INTERNAL WIDTH	19.05
ROLLER - Ø	19.05