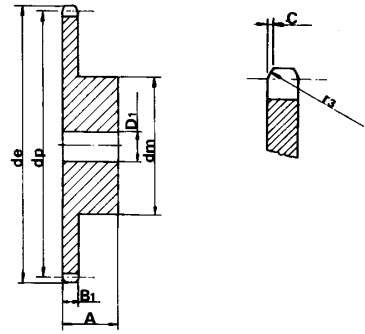


# S P R O C K E T S

Z	d <sub>e</sub>	d <sub>p</sub>	SINGLE		
			d <sub>m</sub>	D1	A
8	15.2	13.06	7	4	10
9	16.8	14.62	8	5	10
10	18.3	16.18	9	5	10
11	19.9	17.75	11	6	10
12	21.5	19.32	12	6	10
13	23.0	20.89	14	6	10
14	24.6	22.47	15	6	10
15	26.2	24.04	16	6	10
16	27.8	25.63	18	8	13
17	29.4	27.20	18	8	13
18	30.9	28.79	18	8	13
19	32.5	30.38	18	8	13
20	34.1	31.96	18	8	13
21	35.7	33.54	20	8	13
22	37.3	35.13	20	8	13
23	38.9	36.72	20	8	13
24	40.5	38.30	20	8	13
25	42.0	39.89	20	8	13
26	43.6	41.48	25	8	15
27	45.2	43.07	25	8	15
28	46.8	44.65	25	8	15
29	48.4	46.25	25	8	15
30	50.0	47.83	25	8	15
31	51.6	49.42	30	8	15
32	53.2	51.01	30	8	15
33	54.8	52.60	30	8	15
34	56.3	54.19	30	8	15
35	57.9	55.78	30	8	15
36	59.5	57.37	30	8	15
37	61.1	58.96	30	8	15
38	62.7	60.54	30	8	15
39	64.3	62.13	30	8	15
40	65.9	63.73	30	8	15

## 5 x 2.5 mm

for roller chains in compliance with DIN 8187 ISO/R 606



### SPROCKET mm

TOOTH RADIUS r <sub>3</sub>	5
RADIUS WIDTH C	0.6
SPROCKET TOOTH WIDTH B <sub>1</sub>	2.3

### CHAIN mm

PITCH	5
INTERNAL WIDTH	2.5
ROLLER - Ø	3.2

MATERIAL: C 45 UNI 7847

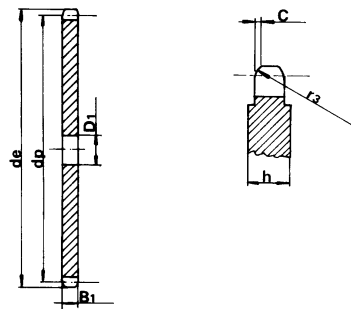
# P L A T E W H E E L S

Z	d <sub>e</sub>	d <sub>p</sub>	S				
			D <sub>1</sub>	Z	d <sub>e</sub>	d <sub>p</sub>	D <sub>1</sub>
8	15.2	13.06	4	44	72.2	70.09	8
9	16.8	14.62	4	45	73.8	71.68	8
10	18.3	16.18	4	46	75.4	73.27	8
11	19.9	17.75	5	47	77.0	74.86	8
12	21.5	19.32	5	48	78.6	76.45	8
13	23.0	20.89	5	49	80.2	78.03	8
14	24.6	22.47	5	50	81.8	79.63	8
15	26.2	24.04	5	51	83.4	81.22	10
16	27.8	25.63	6	52	85.0	82.81	10
17	29.4	27.20	6	53	86.6	84.40	10
18	30.9	28.79	6	54	88.1	85.97	10
19	32.5	30.38	6	55	89.7	87.58	10
20	34.1	31.96	6	56	91.3	89.17	10
21	35.7	33.54	8	57	92.9	90.76	10
22	37.3	35.13	8	58	94.5	92.35	10
23	38.9	36.72	8	59	96.1	93.94	10
24	40.5	38.30	8	60	97.7	95.53	10
25	42.0	39.89	8	62	100.9	98.72	12
26	43.6	41.48	8	64	104.1	101.90	12
27	45.2	43.07	8	65	105.6	103.49	12
28	46.8	44.65	8	66	107.2	105.08	12
29	48.4	46.25	8	68	110.4	108.26	12
30	50.0	47.83	8	70	113.6	111.44	12
31	51.6	49.42	8	72	116.8	114.63	12
32	53.2	51.01	8	75	121.6	119.40	12
33	54.8	52.60	8	76	123.1	120.99	12
34	56.3	54.19	8	78	126.3	124.17	12
35	57.9	55.78	8	80	129.5	127.35	12
36	59.5	57.37	8	85	137.5	135.31	14
37	61.1	58.96	8	90	145.4	143.27	14
38	62.7	60.54	8	95	153.4	151.22	14
39	64.3	62.13	8	100	161.3	159.18	14
40	65.9	63.73	8	110	177.2	175.09	14
41	67.5	65.31	8	114	183.6	181.46	14
42	69.1	66.91	8	120	193.2	191.01	14
43	70.6	68.49	8	125	201.1	198.96	14

## 5 x 2.5 mm

for roller chains in compliance with DIN 8187 ISO/R 606

The wheel disc size is increased by h = 4mm starting from Z.51



### PLATEWHEEL mm

TOOTH RADIUS r <sub>3</sub>	5
RADIUS WIDTH C	0.6
PLATE TOOTH WIDTH B <sub>1</sub>	2.3

### CHAIN mm

PITCH	5
INTERNAL WIDTH	2.5
ROLLER - Ø	3.2