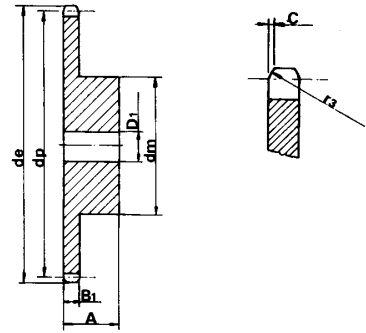


# S P R O C K E T S

1/2" x 3/16"

for roller chains in compliance with DIN 8187 ISO/R 606



## SPROCKET — mm

TOOTH RADIUS $r_3$	13
RADIUS WIDTH C	1.3
SPROCKET TOOTH WIDTH $B_1$	4.5

## CHAIN — mm

PITCH	12.7
INTERNAL WIDTH	4.88
ROLLER - $\emptyset$	7.75

MATERIAL: C 45 UNI 7847

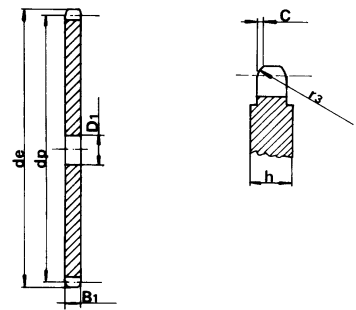
Z	$d_e$	$d_p$	SINGLE		
			$d_m$	$D_1$	A
8	38.5	33.18	21	8	14
9	41.5	37.13	25	8	14
10	46.2	41.10	28	8	14
11	49.6	45.07	31	8	16
12	53.9	49.07	35	8	16
13	58.4	53.06	39	8	16
14	62.8	57.07	43	8	16
15	66.8	61.09	47	8	16
16	70.9	65.10	50	10	18
17	74.9	69.11	50	10	18
18	78.9	73.14	50	10	18
19	82.9	77.16	50	10	18
20	88.9	81.19	50	10	18
21	91.0	85.22	60	12	20
22	95.0	89.24	60	12	20
23	99.0	93.27	60	12	20
24	103.0	97.29	60	12	20
25	107.1	101.33	60	12	20
26	111.2	105.36	70	16	20
27	115.4	109.40	70	16	20
28	119.4	113.42	70	16	20
29	123.4	117.46	70	16	20
30	127.5	121.50	70	16	20
31	131.5	125.54	70	16	20
32	135.5	129.56	70	16	20
33	139.6	133.60	70	16	20
34	143.6	137.64	70	16	20
35	147.6	141.68	70	16	20
36	151.7	145.72	70	16	25
37	155.7	149.76	70	16	25
38	159.8	153.80	70	16	25
39	163.8	157.83	70	16	25
40	167.8	161.87	70	16	25

# P L A T E W H E E L S

1/2" x 3/16"

for roller chains in compliance with DIN 8187 ISO/R 606

The wheel disc size is increased by  $h = 6\text{mm}$  starting from Z.90



## PLATEWHEEL — mm

TOOTH RADIUS $r_3$	13
RADIUS WIDTH C	1.3
PLATE TOOTH WIDTH $B_1$	4.3 <sup>+0.2</sup>

## CHAIN — mm

PITCH	12.7
INTERNAL WIDTH	4.88
ROLLER - $\emptyset$	7.75

Z	$d_e$	$d_p$	S		Z	$d_e$	$d_p$	$D_1$
			$D_1$	$D_1$				
8	38.5	33.18	8		43	179.5	173.99	16
9	41.5	37.13	8		44	183.5	178.03	16
10	46.2	41.10	8		45	187.5	182.07	16
11	49.6	45.07	8		46	191.6	186.10	20
12	53.9	49.07	8		47	195.6	190.14	20
13	58.4	53.06	8		48	199.7	194.18	20
14	62.8	57.07	8		49	203.7	198.22	20
15	66.8	61.09	8		50	207.8	202.26	20
16	70.9	65.10	10		51	211.8	206.30	20
17	74.9	69.11	10		52	215.9	210.34	20
18	78.9	73.14	10		53	219.9	214.37	20
19	82.9	77.16	10		54	224.0	218.43	20
20	86.9	81.19	10		55	228.0	222.46	20
21	91.0	85.22	10		56	232.1	226.50	20
22	95.0	89.24	10		57	236.1	230.54	20
23	99.0	93.27	10		58	240.2	234.58	20
24	103.0	97.29	10		59	244.2	238.62	20
25	107.1	101.33	10		60	248.2	242.66	20
26	111.2	105.36	12		62	256.7	250.75	20
27	115.4	109.40	12		64	264.8	258.82	20
28	119.4	113.42	12		65	268.8	262.86	20
29	123.4	117.46	12		66	272.9	266.90	25
30	127.5	121.50	12		68	280.9	274.99	25
31	131.5	125.54	12		70	289.0	283.07	25
32	135.5	129.56	12		72	297.1	291.16	25
33	139.6	133.60	12		76	313.3	307.33	25
34	143.6	137.64	12		78	321.4	315.40	25
35	147.6	141.68	12		80	329.4	323.48	25
36	151.7	145.72	16		85	349.7	343.70	25
37	155.7	149.76	16		90	369.9	363.90	25
38	159.8	153.80	16		95	390.1	384.10	25
39	163.8	157.83	16		100	410.3	404.31	25
40	167.8	161.87	16		110	450.7	444.74	25
41	171.4	165.91	16		114	466.9	460.90	25
42	175.4	169.95	16		120	491.2	485.16	25
					125	511.4	505.37	25